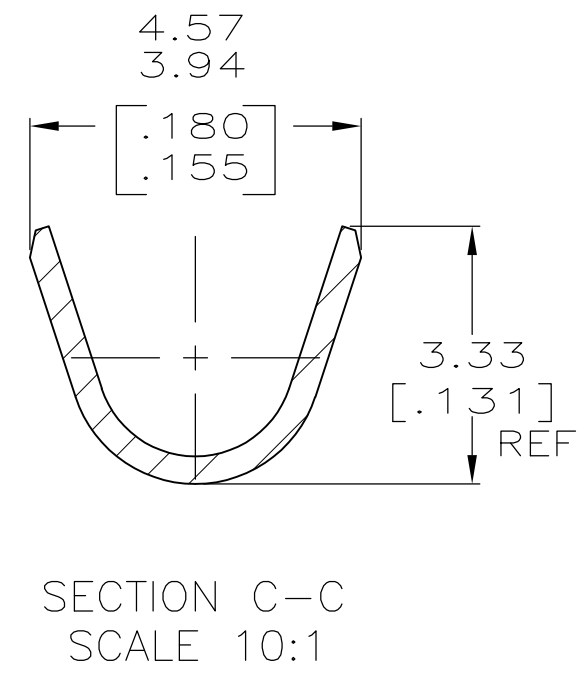
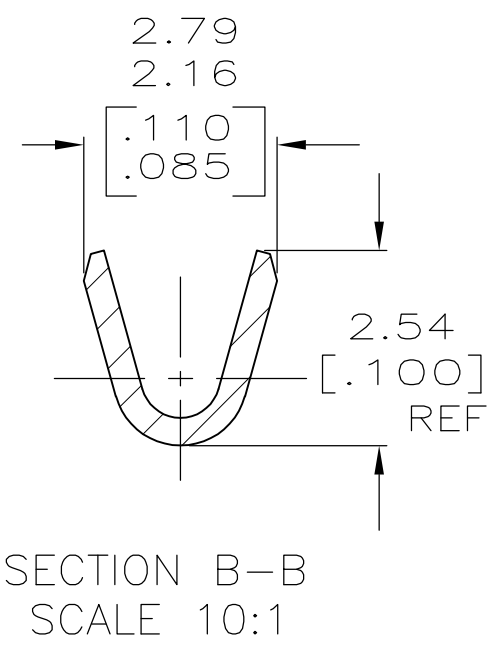
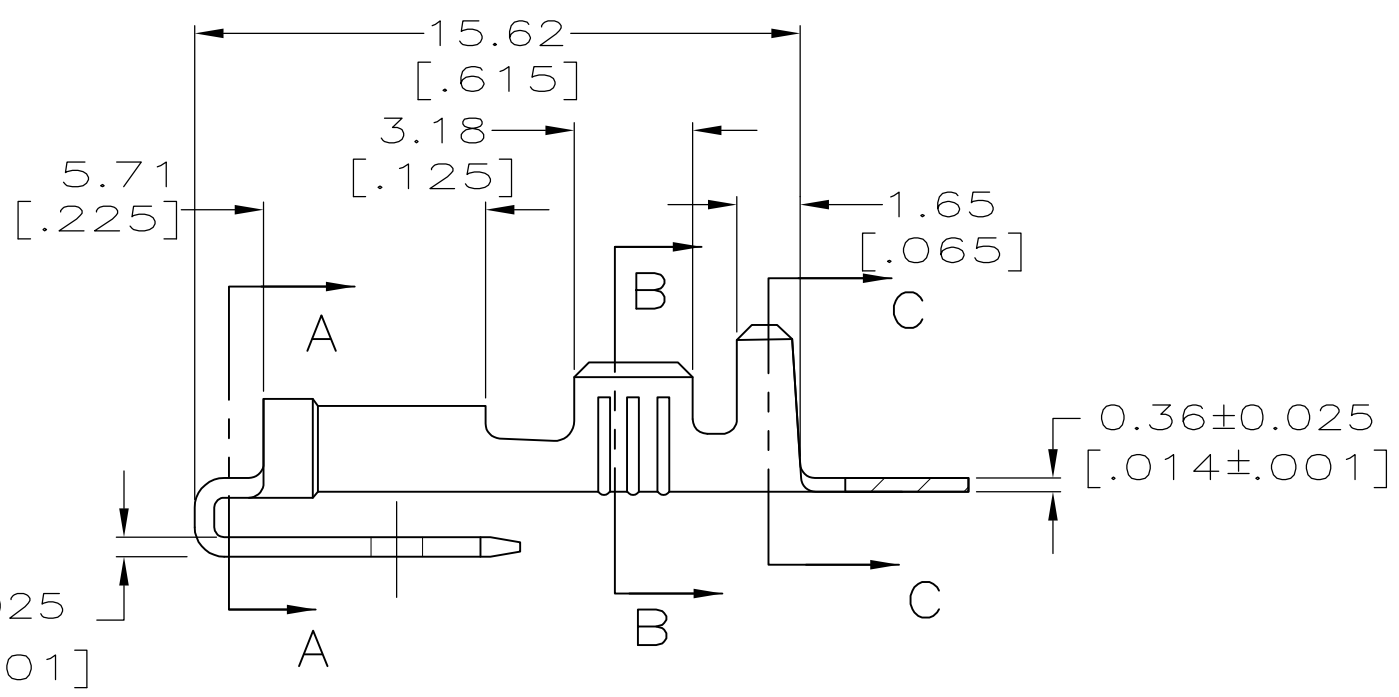
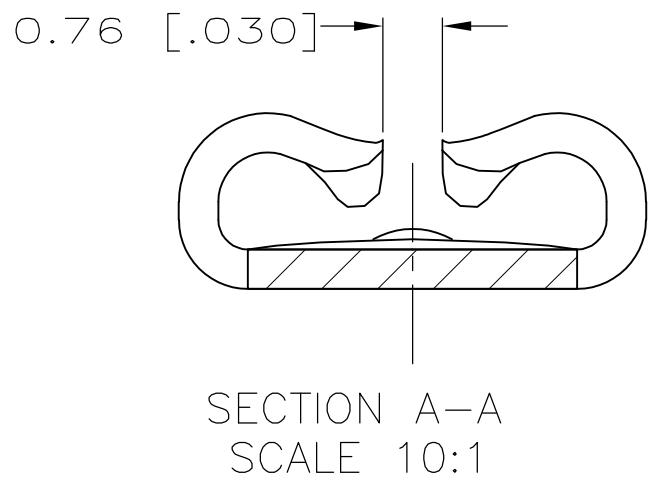
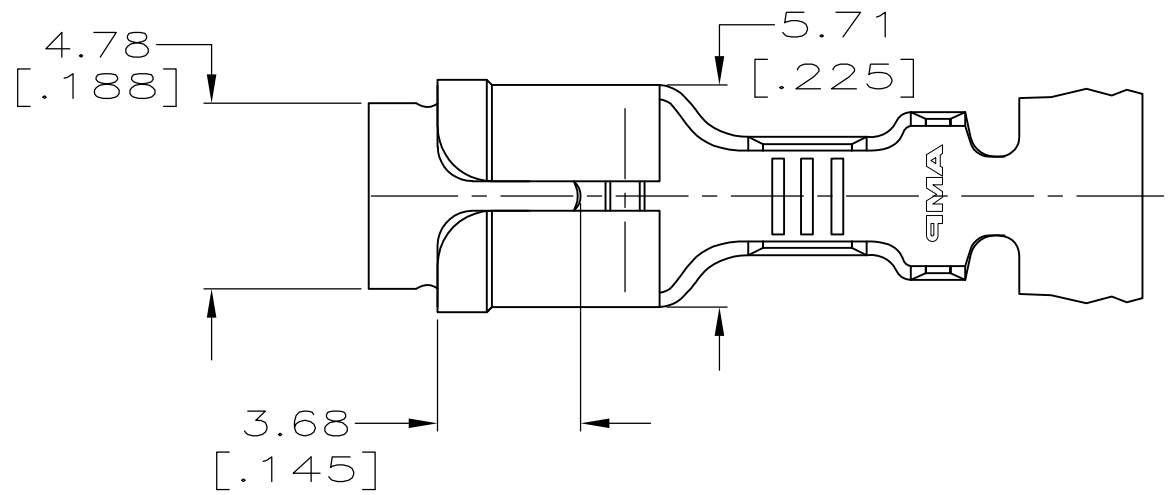


THIS DRAWING IS UNPUBLISHED. RELEASED FOR PUBLICATION
 © COPYRIGHT - By - ALL RIGHTS RESERVED.

LOC	DIST	REVISIONS					
AF	50	P	LTR	DESCRIPTION	DATE	DWN	APVD
			C	REVISED PER ECR-12-013518	24NOV12	KH	PD

1 CONTINUOUS STRIP ON REELS.



1.52 - 2.54 DIA [.060-.100] DIA	[#22-#18] AWG	0.51±0.025 [.020±.001]	63873-1
INSULATION RANGE	WIRE SIZE	MATING TAB THICKNESS	PART NO

F OR O	3.56 [.140]	5.59 [.220]	F	1.78 [.070]	1.19 [.047] [#22]	
					1.27 [.050] [#20]	
					1.42 [.056] [#18]	
TYPE	WIDTH	STRIP LENGTH ±0.38 ±[.015]	TYPE	WIDTH	HEIGHT	WIRE
INSUL BARREL CRIMP			WIRE BARREL CRIMP			

THIS DRAWING IS A CONTROLLED DOCUMENT.

DIMENSIONS: mm [INCHES]	TOLERANCES UNLESS OTHERWISE SPECIFIED: 0 PLC ± - 1 PLC ± - 2 PLC ± 0.25 [.010] 3 PLC ± - 4 PLC ± - ANGLES ± -	DWN JR RUTH 9/26/95 CHK P FORTNEY 9/26/95 APVD P DESANTIS 9/26/95 PRODUCT SPEC APPLICATION SPEC 114-2082 WEIGHT -	NAME RECEPTACLE & TAB, FASTON, PIGGYBACK, 4.75 [.187] SERIES SIZE A3 CAGE CODE 00779 DRAWING NO C-63873 RESTRICTED TO -
MATERIAL BRASS	FINISH TIN	CUSTOMER DRAWING	SCALE 5:1 SHEET 1 OF 1 REV C

